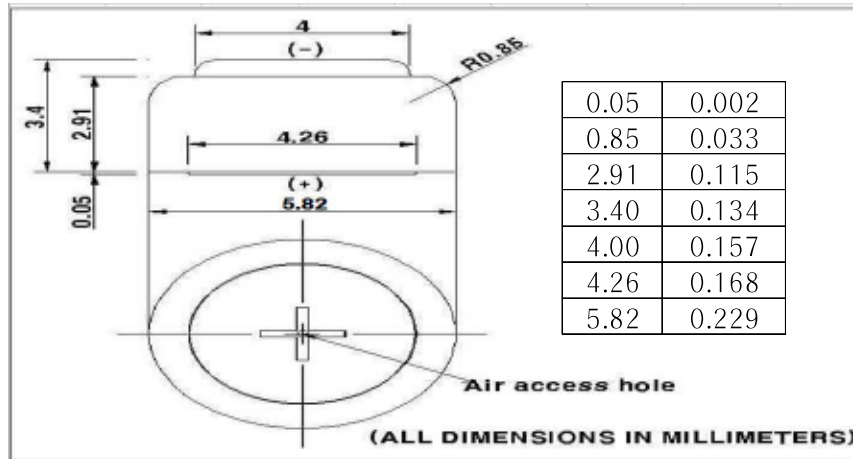


MICROBATTERY.COM

7350 NW 35th Terrace, Miami, Florida 33122
 Customer Service: 1-866-999-2355
 Phone: 1-305-371-9200 Fax: 1-305-371-9400
 www.microbattery.com

Model : 10 Platinum Engineering Data sheet



SPECIFICATIONS

Nominal Voltage :	1.4V
Rated Capacity :	105mAh
	(at 3000Ω 25°C 50%)
Average weight :	0.30g
Volume :	79mm ³
Operating Temp :	0°C ~ 50°C
Impedance :	≤8Ω (at AC 1KHz)
Limiting current :	3mA at 1.1V
IEC :	PR70
Terminals :	FLAT

Important Notice

This data sheet contains information specific to batteries manufactured at the time of its publication
 Contents herein do not constitute a warranty.
 Copyright iCell Tech Corp. – All Rights Reserved

DISCHARGE CHARACTERISTICS (25°C 50%) (Discharged 16 hours/day)

