

Vented impression pads



Technical Data Sheet

Intended use: Accessories for ear impressions

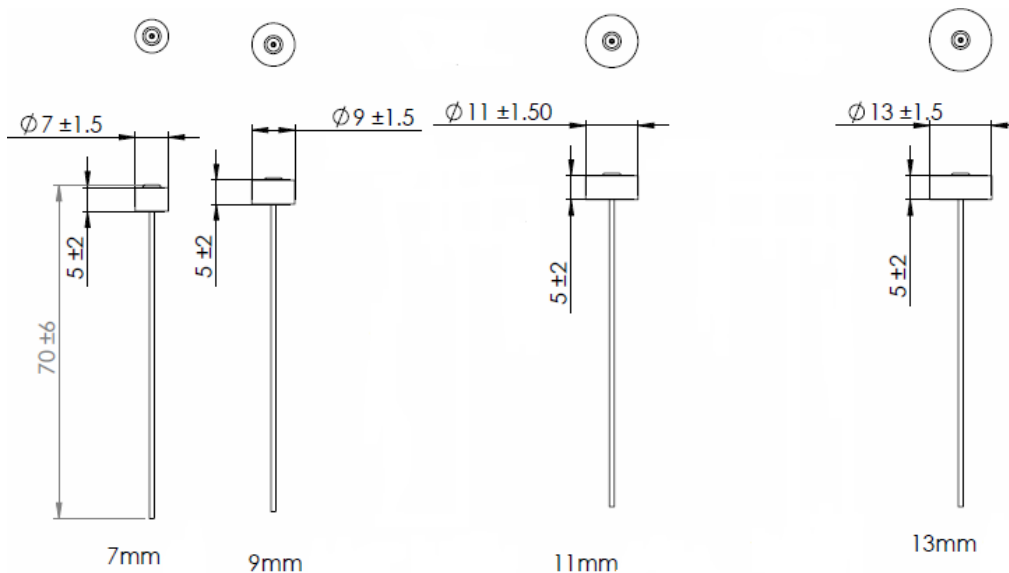
Manufacturer: Dreve Otoplastik GmbH
Max-Planck-Straße 31
59423 Unna / Germany

Type: Foam cylindrical with vented tube

Dreve Otoplastik GmbH
Max-Planck-Str. 31
59423 Unna / Germany
Tel.: +49 2303 8807-0
Fax: + 49 2303 82909
info@dreve.de
www.dreve.com

Dimensions

Diameter: 7 mm (green)
9 mm (black)
11 mm (white)
13 mm (blue)



These data result from measurements which are executed from time to time in view of our quality management system.
This document is valid without any signature.

Rev. 2 / 04.2022
Page 1 of 1
TDS_belüftete
Abdruckpads_GB.doc