

PRESENTATION

The PerfectDry Lux is an Medical Device for the maintenance and storage of all kind of hearing aids. Its a modern and sleek design combined with the best technology makes it exceptionally convenient to use. Its efficiency in dehumidifying in only 45 minutes has been proved by many tests.

CE

FUNCTIONS

Auto-stop cycle system

- Sensor detecting opening of the lid

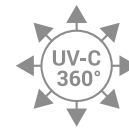
Microprocessor control

- Dehumidification system
- UV-C system



Patented pulsed hot air dehumidification system

- The temperature is self-regulating in order to not exceed 35°C / 95°F thanks to the microprocessor
- Controlled ventilation.
- Optimized and homogeneous air flow.
- Extraction of moisture.



360° UV-C lamp

- Shortwaves (253.7nm)
- Peripheral light 360° (2 Watts)
- Confirmation test on no damages on hearing aids surfaces (nano coating and varnishes)
- Automatic shutdown when the cover is opened

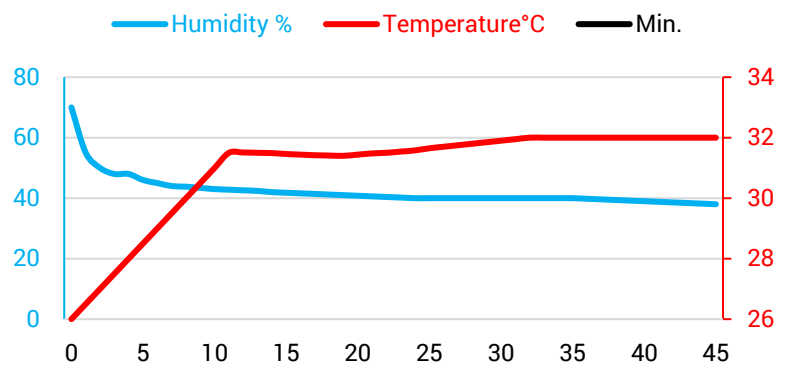
One touch control

- Touch button with curved sensor

Evaporation test

Evaporation	45 min.
Test with water in a tube diameter 2 mm.	10 mm ³
Test with water in a cup	0,2 cm ³

Drying test

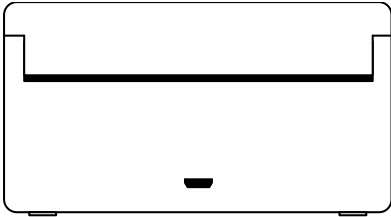


Test with an ambient temperature of 25°C / 77°F and a humidity of 60%.

DIRECTIVES

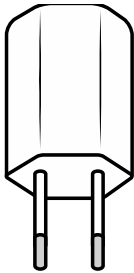
- The product meets the requirements of:
- Directive 93/42/EEC - Concerning Medical Device, reviewed and amended by Directive 2007/47/CE.
- Directive 2014/35/EU – Harmonization of the laws of the Member States relating to the making available on the market of electrical equipment designed for use within certain voltage limits.
- Directive 2014/30/EU – Harmonization of the laws of the Member States relating to electromagnetic compatibility.
- Directive 2011/65/EU – Restriction of the use of certain hazardous substances in electrical and electronic equipment.
- Directive 2012/19/EU – Waste electrical and electronic equipment (WEEE).

ELECTRICAL SPECIFICATIONS



Low power connection

- Power supply: 5Vdc
- Max power: 4W
- Standby Power: <0.02W

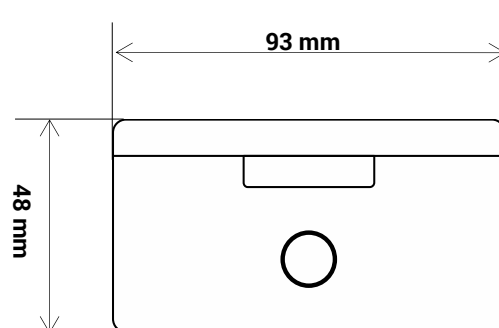


5V adapter

- Input: 100-247 Vac – 50-60Hz
- Output: 5Vdc
- The adapter is certified and is in compliance with regulatory requirements for electrical safety and electromagnetic compatibility.

MECHANICAL SPECIFICATIONS

- Internal Dimensions (W x H x D) : 70 x 21 x 51 mm
- Weight: 160g



PROPERTIES

PerfectDry Lux is a Medical Device that guarantees effective hearing aid care. To this extend, it incorporates a microprocessor to optimally control the different technologies involved :

The dehumidification

with hot air. Therefore, the power and the necessary dehumidification times are reduced.

Temperature maintenance is controlled by the electronic system which allows to not exceed 35°C / 95°F regardless of the ambient temperature so as not to damage the hearing aids.

The Ultra Violet (UV-C)

system with short wavelengths and the annular arrangement at 360° allows to reach all surfaces of the hearing aid. The exposure to UV-C light allows the elimination of more than 99% of fungi and bacteria and greatly reduces itching and infections of the ear canal. The lamp lights up during the five minutes of the maintenance cycle and turns off automatically. The efficacy of the UV-C system is certified by a laboratory internationally recognized (Intertek). The tests are consistent with the requirements for UV-C of medical field. The same laboratory performed tests to ensure that the UV-C system does not damage hearing aids.

Indications

The PerfectDry Lux is indicated for:

- Dehumidifying hearings aids to prevent dysfunction due to humidity
- The removal of microorganisms on the surface of the hearings aids in order to limit the pathologies of the ear canal to the wearing of hearing aids.

Regular use increases the lifetime of the hearing system and preserve their effectiveness.

Usage tips

Clean your hearing aids to remove excess dirt. If possible open the battery compartment of your hearing aid to enable full dehumidification, then place in the PerfectDry Lux.

Close the lid of the PerfectDry Lux. Then tap the operation button touch to launch the cycle (45 minutes).

The PerfectDry Lux automatically stops at the end of the maintenance cycle (light switches off). It is possible to stop the maintenance cycle by opening the lid.

Precautions

Put PerfectDry Lux on a dry, stable support.

To unplug, grasp the plug, not the cord.

Clean with a soft cloth. Do not use abrasives to clean PerfectDry Lux. Do not spray liquid into the unit. Keep PerfectDry Lux closed when not in use to prevent dirt deposits.

Keep out of reach of children.

Any intervention other than cleaning and normal maintenance by the customer, must be done by the aftermarket manufacturer or by an authorized professional service.

Do not put PerfectDry Lux, the power cord or plug in water or any other liquid. If the power cord or plug are damaged, do not use the device and change immediately.

Replace your AC adapter with a genuine model.