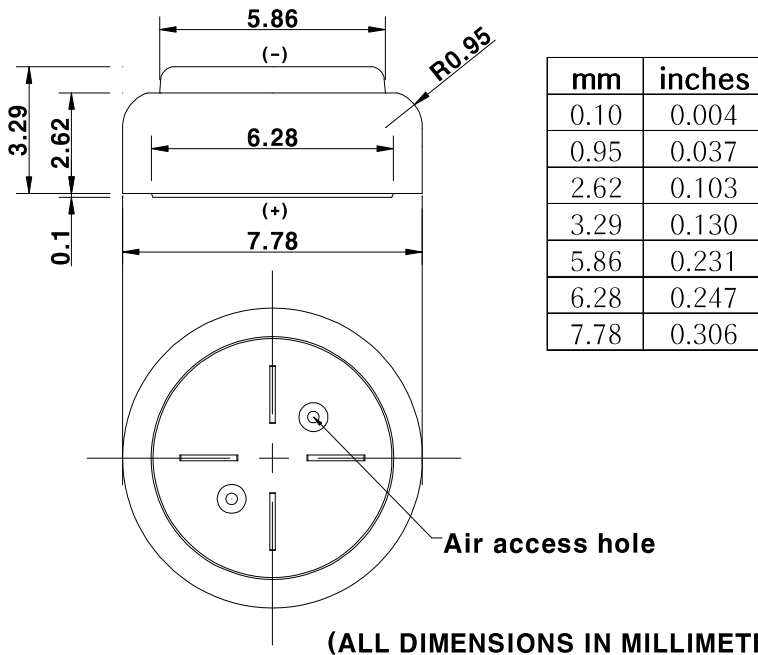


# MICROBATTERY.COM

7350 NW 35th Terrace, Miami, Florida 33122  
 Customer Service: 1-866-999-2355  
 Phone: 1-305-371-9200 Fax: 1-305-371-9400  
 www.microbattery.com

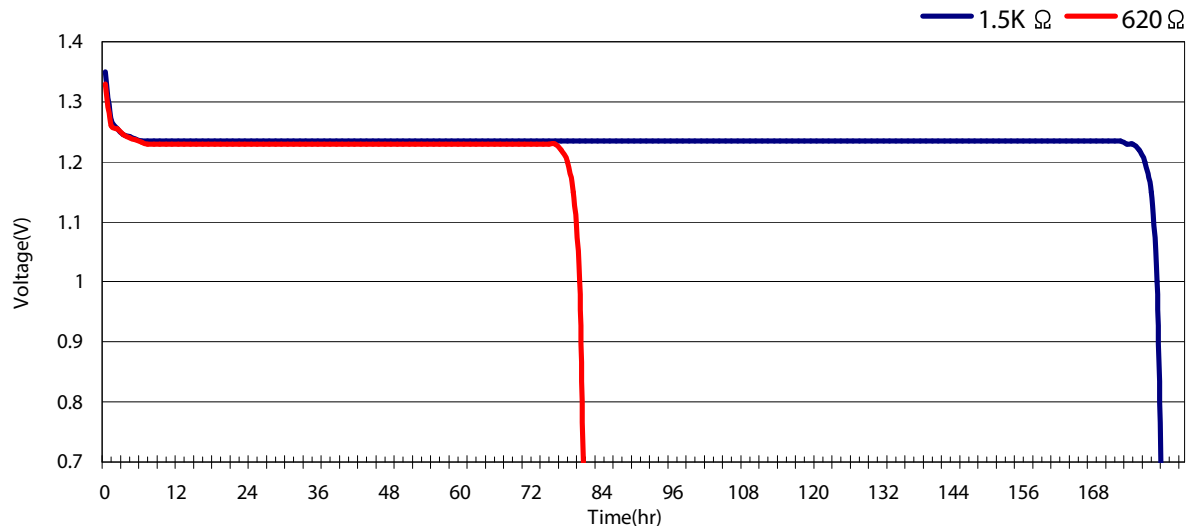
## Model : 312 Platinum Engineering Data sheet



### SPECIFICATIONS

Nominal Voltage :	1.4V
Rated Capacity :	180mAh
	(at 3000Ω 25°C 50%)
Average weight :	0.53g
Volume :	141mm <sup>3</sup>
Operating Temp :	0°C ~ 50°C
Impedance :	≤8Ω (at AC 1KHz)
Limiting current :	3mA at 1.1V
IEC :	PR41
Terminals :	FLAT

### DISCHARGE CHARACTERISTICS (25°C 50%) (Discharged 16 hours/day)



#### Important Notice

This data sheet contains information specific to batteries manufactured at the time of its publication  
 Contents herein do not constitute a warranty.  
 Copyright iCell Tech Corp . - All Rights Reserved